

LED STREET LIGHT

JD-1047ABCDEFGHI

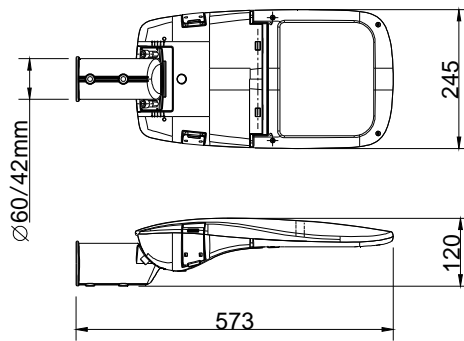
| Type Number | LEDs | Power | Input Voltage | Frequency | Installation Pipe Dia | Installation Height | Nominal flux |
|--------------|------|-------|---------------|-----------|-----------------------|---------------------|--------------|
| JD-1047A-XTE | 16 | 30W | 100-240VAC | 50/60Hz | Φ60/42mm | 4-6m | 3300lm |
| JD-1047B-XTE | 24 | 40W | 100-240VAC | 50/60Hz | Φ60/42mm | 4-6m | 4400lm |
| JD-1047C-XTE | 36 | 50W | 100-240VAC | 50/60Hz | Φ60/42mm | 4-6m | 5500lm |
| JD-1047D-XTE | 40 | 60W | 100-240VAC | 50/60Hz | Φ60/42mm | 6-8m | 6600lm |
| JD-1047E-XTE | 48 | 70W | 100-240VAC | 50/60Hz | Φ60/42mm | 6-8m | 7700lm |
| JD-1047F-XTE | 64 | 100W | 100-240VAC | 50/60Hz | Φ60/42mm | 8-10m | 11000lm |
| JD-1047G-XTE | 80 | 120W | 100-240VAC | 50/60Hz | Φ76/60mm | 8-10m | 13200lm |
| JD-1047H-XTE | 88 | 150W | 100-240VAC | 50/60Hz | Φ76/60mm | 10-12m | 16500lm |
| JD-1047I-XTE | 96 | 200W | 100-240VAC | 50/60Hz | Φ76/60mm | 10-12m | 22000lm |

Applications(for indoor or outdoor use):

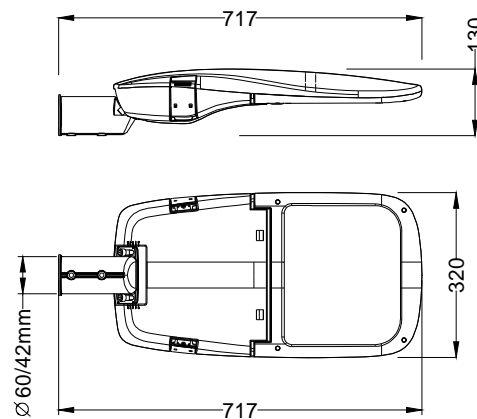
Expressways, highways, avenues, trunk roads, sub-trunk roads, paths, workshops, parks, schools, residential areas, courtyards, etc.



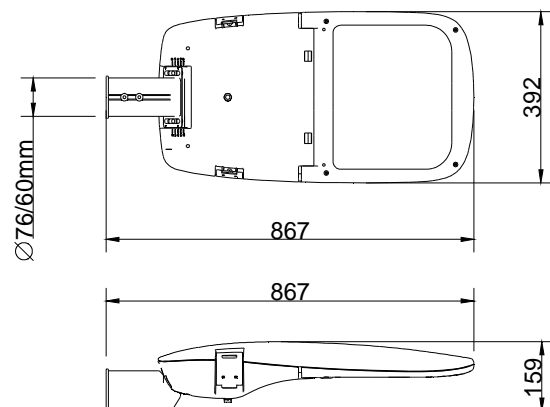
Installation:Horizontal or vertical
 JD-1047ABC Lamp Weight:4.25kg
 JD-1047ABC Projected area:0.115m²
 Junction box size(DxH):60/42mmx100mm
 Screw installation torque:8Nm



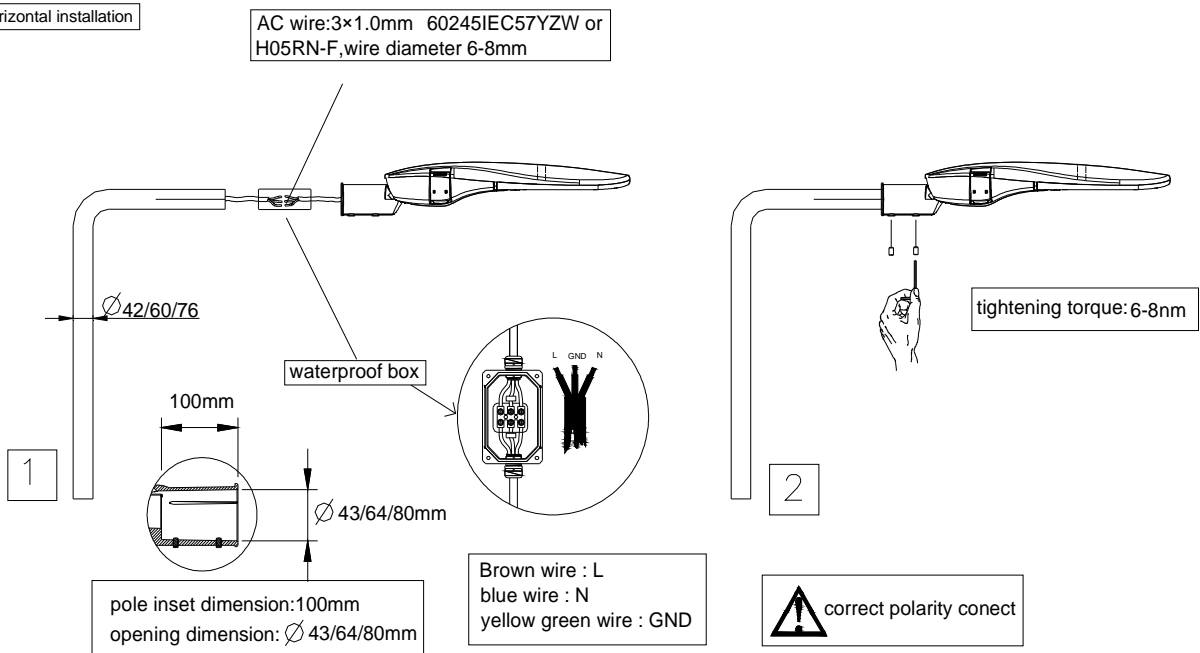
Installation:Horizontal or vertical
 JD-1047DEF Lamp Weight:7.2kg
 JD-1047DEF Projected area:0.19m²
 Junction box size(DxH):60/42mmx100mm
 Screw installation torque:8Nm



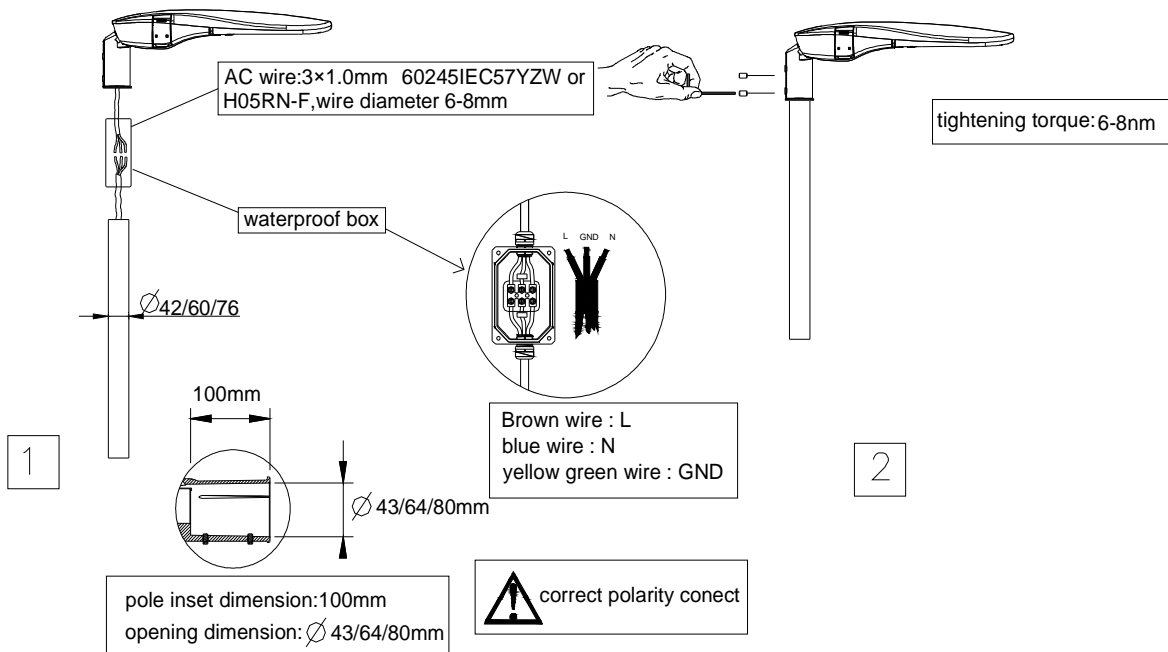
Installation:Horizontal or vertical
 JD-1047GHI Lamp Weight:11.6kg
 JD-1047GHI Projected area:0.284m²
 Junction box size(DxH):76/60mmx120mm
 Screw installation torque:8Nm



horizontal installation



vertical installation



1. The luminaire shall be installed by a qualified electrician and wired in accordance with the latest IEE electrical regulations or the national requirements.
2. No supplied water-proof box, installation should be advised by qualified professional.
3. Do not switch on before complete installation.
- 4.If the external flexible cable or cord of this luminaire is damaged, it shall be exclusively replaced by the manufacturer or his service agent or a similar qualified person in order to avoid a hazard.
- 5.The light source contained in this luminaire shall only be replaced by the manufacturer or his service agent or a similar qualified person.